



A Versatile Mini-ITX PC.

A feature-rich system in a compact, durable enclosure, the MC500 combines the popular Mini-ITX form factor with a carefully engineered, actively cooled chassis.

logicsupply.com/mc500-series/



Built for Commercial Use

With a range of Intel® processor options, and long lifecycle components, the MC500 Series is both flexible and efficient.

Right Size for the Job

Small form factor doesn't have to mean limited capabilities. The MC500 combines the power of a traditional PC and the flexibility of a compact, all steel chassis.

Interface With Anything

The MC500 Series was built with commercial applications in mind, offering a wide range of modern and legacy connectivity.

US Office

Phone: +1 802 861 2300
Email: info@logicsupply.com
www.logicsupply.com

EU Office

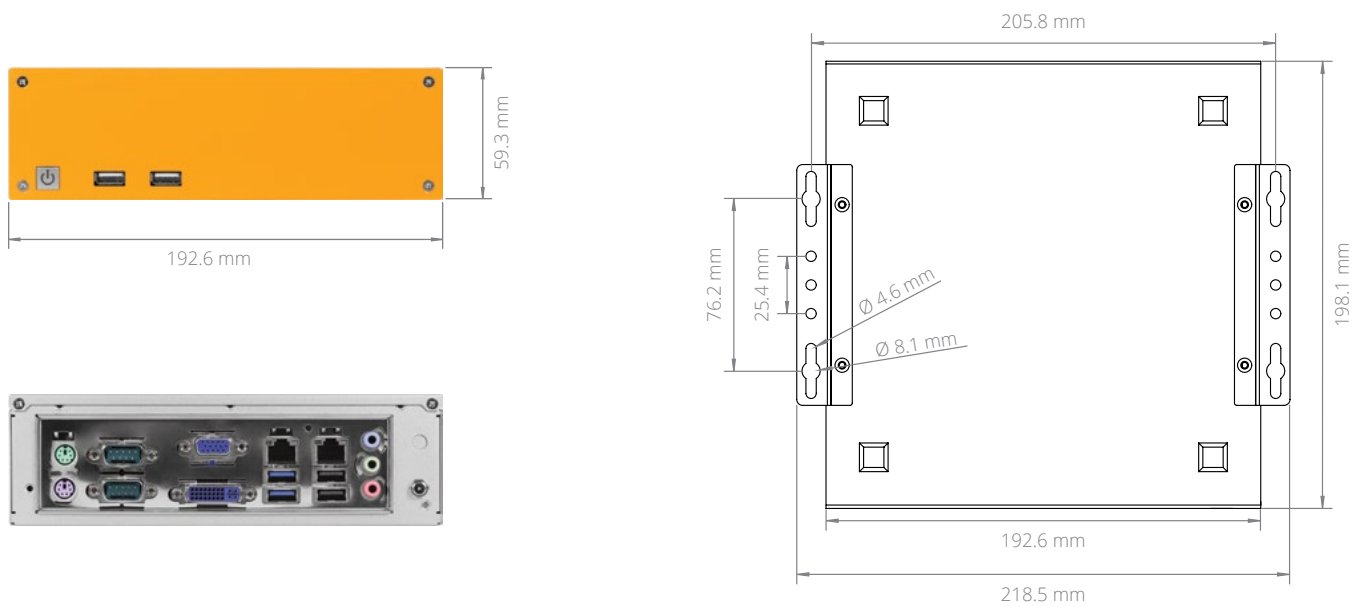
Phone: +31 088 5200 700
Email: info@logicsupply.eu
www.logicsupply.com

Specifications

Processor	Intel Celeron J1900	Front I/O	2 USB ports Power button
Processor Speed	2 GHz	Storage Options	2.5" HDD/SSD
Processor Generation	Bay Trail	LAN Controller	Realtek RT8111G-CG
Processor Cores	4	Input Voltage	12 VDC
Graphics / GPU	Intel HD Graphics	Power Input	DC jack
Memory	DDR3L SO-DIMM (non-ECC) Up to 8 GB	Operating Temp. Range	0 ~ 50°C
Rear I/O	2 USB 2.0 ports 2 USB 3.0 ports 1 VGA port 2 LAN ports 1 DVI-I port 2 RS-232 COM ports 1 PS2 keyboard port 1 PS2 mouse port 3 Audio jacks: line-out, line-in, mic-in	Dimensions (WxHxD)	192.6 x 59.3 x 198.1 mm
		Mounting Options	DIN-mount VESA-mount Wall-mount
		Regulatory Information	2011/65/EU (RoHS 2 Directive) CE EN 55022 EN 55024 EN 55032 EN 60950-1 FCC 47 CFR Part 15

Dimensional Drawings

All measurements in mm



logicsupply.com/mc500-10/



US Office

Phone: +1 802 861 2300

Email: info@logicsupply.com

www.logicsupply.com

EU Office

Phone: +31 088 5200 700

Email: info@logicsupply.eu

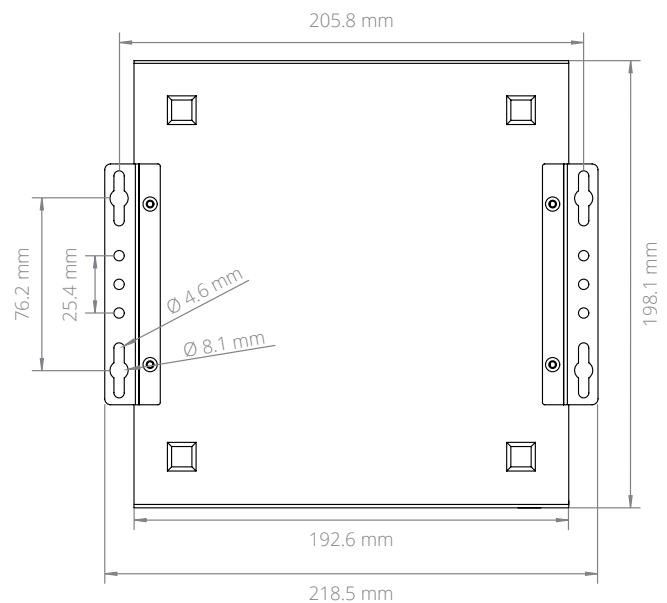
www.logicsupply.com

Specifications

Processor	Intel Celeron N3350 Intel Pentium N4200	Expansion Options	1 M.2 2230 slot 1 PCIe Mini Card slot (full/half height)
Processor Speed	1.1 GHz	Storage Options	M.2 (2260/2280) SATA 6 Gb/s
Processor Generation	Apollo Lake	LAN Controller	Realtek RTL8111G
Processor Cores	2 ~ 4	Input Voltage	12 VDC / 19 ~ 24 VDC
Graphics / GPU	Intel HD Graphics 500 Intel HD Graphics 505	Power Input	DC jack
Memory	DDR3L SO-DIMM (non-ECC) Up to 8 GB	Operating Temp. Range	0 ~ 50°C
Rear I/O	1 VGA port 1 HDMI port 2 Gb LAN ports 4 USB 3.0 ports 3 COM ports 2 Audio Jacks (Mic-in; Line-out) 2 PS/2 ports	Dimensions (WxHxD)	192.6 x 59.3 x 198.1 mm
Front I/O	2 USB 2.0 ports Power Button	Mounting Options	DIN-mount VESA-mount Wall-mount
		Regulatory Information	2011/65/EU (RoHS 2 Directive) CE EN 55022 EN 55024 EN 55032 EN 60950-1 FCC 47 CFR Part 15

Dimensional Drawings

All measurements in mm



logicsupply.com/mc500-11/



US Office

Phone: +1 802 861 2300
Email: info@logicsupply.com
www.logicsupply.com

EU Office

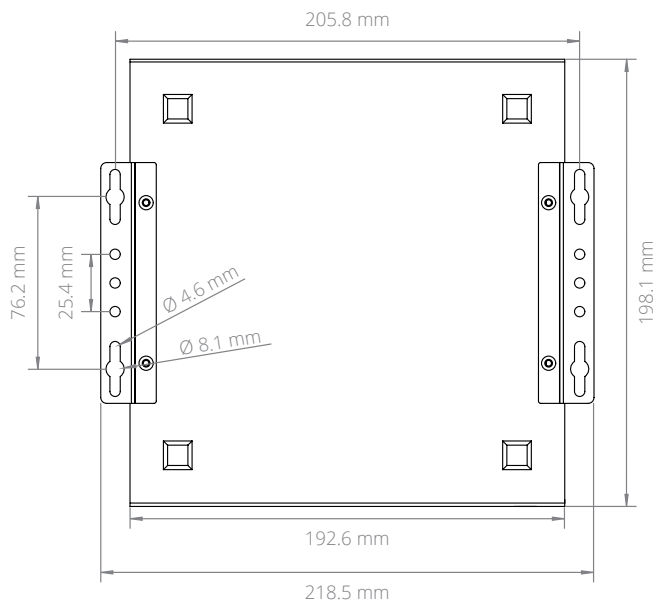
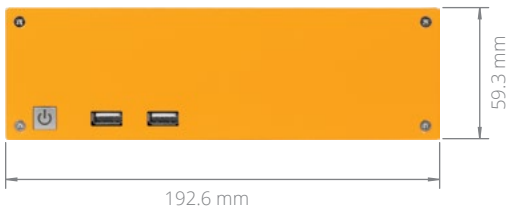
Phone: +31 088 5200 700
Email: info@logicsupply.eu
www.logicsupply.com

Specifications

Processor	Intel Celeron Intel Pentium Intel Core™ i3/i5/i7	Storage Options	2.5" HDD/SSD
Processor Speed	2.2 ~ 2.7 GHz	LAN Controller	Intel I210AT GbE Intel I217LM GbE with Intel AMT
Processor Generation	Haswell	Input Voltage	12 ~ 19 VDC
Processor Cores	2 ~ 4	Power Input	DC jack
Graphics / GPU	Intel 4th Generation HD Graphics	Operating Temp. Range	0 ~ 50°C
Memory	DDR3 SO-DIMM (non-ECC) Up to 16 GB	Dimensions (WxHxD)	192.6 x 59.3 x 198.1 mm
Rear I/O	1 DisplayPort 1 HDMI port 2 Gb LAN port 4 USB 3.0 ports 2 Audio jacks: line-out, mic-in 1 19V DC (5.1 mm ID x 7.4 mm OD)	Mounting Options	DIN-mount VESA-mount Wall-mount
Front I/O	2 USB ports Power button	Regulatory Information	2011/65/EU (RoHS 2 Directive) CE EN 55022 EN 55024 EN 55032 EN 60950-1 FCC 47 CFR Part 15
Expansion Options	1 PCIe Mini Card (full height) 1 PCIe Mini Card (half-height)		

Dimensional Drawings

All measurements in mm



logicsupply.com/mc500-30/ >

US Office

Phone: +1 802 861 2300
Email: info@logicsupply.com
www.logicsupply.com

EU Office

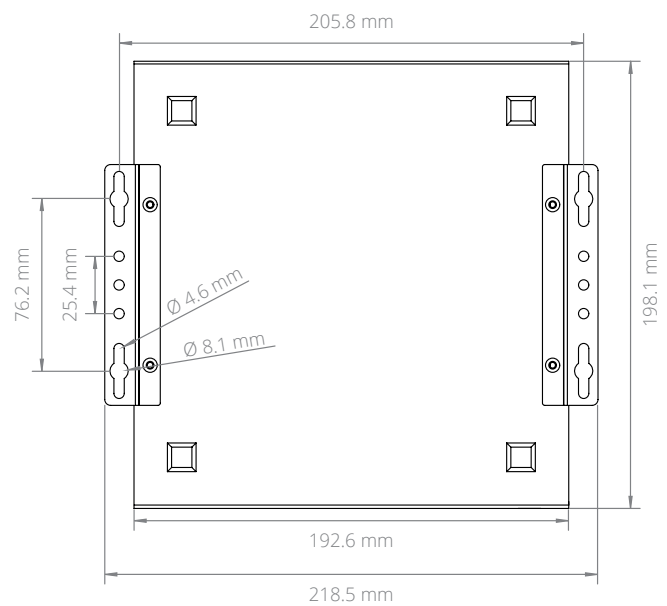
Phone: +31 088 5200 700
Email: info@logicsupply.eu
www.logicsupply.com

Specifications

Processor	Intel Core™ i3/i5	Storage Options	2.5" HDD/SSD mSATA
Processor Speed	2.4 ~ 2.6 GHz	LAN Controller	Intel I210 GbE Intel I217LM GbE with Intel AMT
Processor Generation	Haswell	Input Voltage	12 ~ 19 VDC
Processor Cores	2	Power Input	DC jack
Graphics / GPU	Intel 4th Generation HD Graphics	Operating Temp. Range	0 ~ 50°C
Memory	DDR3 SO-DIMM (ECC) Up to 16 GB	Dimensions (WxHxD)	192.6 x 59.3 x 198.1 mm
Rear I/O	1 HDMI port 2 DisplayPort 1 VGA port 4 USB 3.0 ports 2 Gb LAN ports 2 RS-232/422/485 COM ports 2 Audio jacks; line-out, mic-in	Mounting Options	DIN-mount VESA-mount Wall-mount
Front I/O	2 USB 2.0 ports Power button	Regulatory Information	2011/65/EU (RoHS 2 Directive) CE EN 55022 EN 55024 EN 55032 EN 60950-1 FCC 47 CFR Part 15
Expansion Options	1 PCIe x16 slot 1 PCIe Mini Card (full height)		

Dimensional Drawings

All measurements in mm



logicsupply.com/mc500-50/



US Office

Phone: +1 802 861 2300
Email: info@logicsupply.com
www.logicsupply.com

EU Office

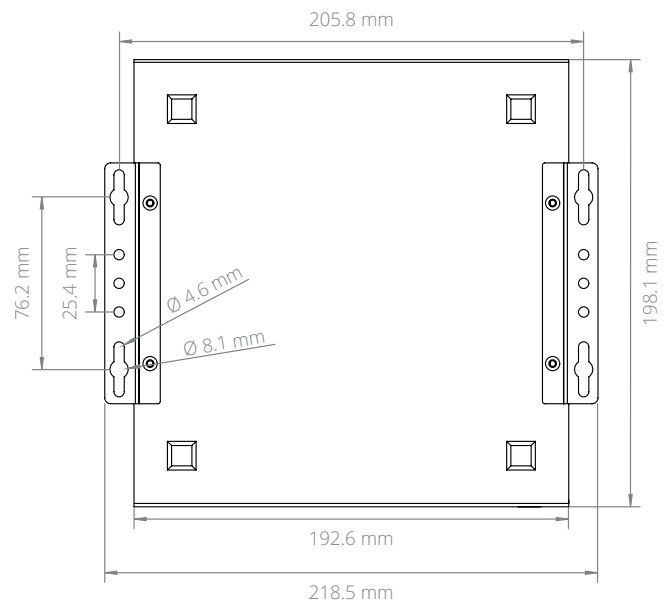
Phone: +31 088 5200 700
Email: info@logicsupply.eu
www.logicsupply.com

Specifications

Processor	Intel Celeron Intel Pentium Intel Core i3/i5/i7	Expansion Options	1 PCIe Mini Card slot (full/half height)
Processor Speed	2.3 ~ 3.3 GHz	Storage Options	2.5" HDD/SSD mSATA
Processor Generation	Skylake	LAN Controller	Intel I210 GbE Intel I219V
Processor Cores	2 ~ 4	Input Voltage	12 VDC
Graphics / GPU	Intel HD Graphics 510 Intel HD Graphics 530	Power Input	DC jack
Memory	DDR4 SO-DIMM (non-ECC) Up to 32 GB	Operating Temp. Range	0 ~ 50°C
Rear I/O	1 HDMI port 1 DisplayPort 1 VGA port 4 USB 3.0 ports 2 Gb LAN ports 1 RS-232 COM port 1 RS-232/422/485 COM port 2 Audio jacks; line-out, mic-in	Dimensions (WxHxD)	192.6 x 59.3 x 198.1 mm
Front I/O	2 USB 2.0 ports Power button	Mounting Options	DIN-mount VESA-mount Wall-mount
		Regulatory Information	2011/65/EU (RoHS 2 Directive) CE EN 55022 EN 55024 EN 55032 EN 60950-1 EN 62368-1 FCC 47 CFR Part 15

Dimensional Drawings

All measurements in mm



logicsupply.com/mc500-51/



US Office

Phone: +1 802 861 2300
Email: info@logicsupply.com
www.logicsupply.com

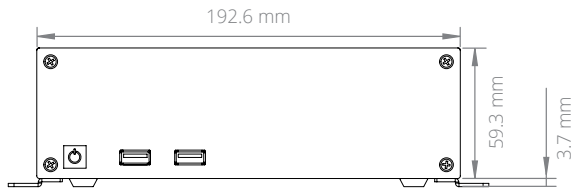
EU Office

Phone: +31 088 5200 700
Email: info@logicsupply.eu
www.logicsupply.com

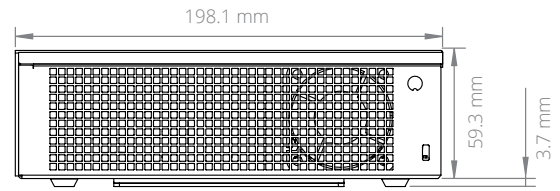
MC500 Dimensional Drawings

Compact Mini-ITX Case

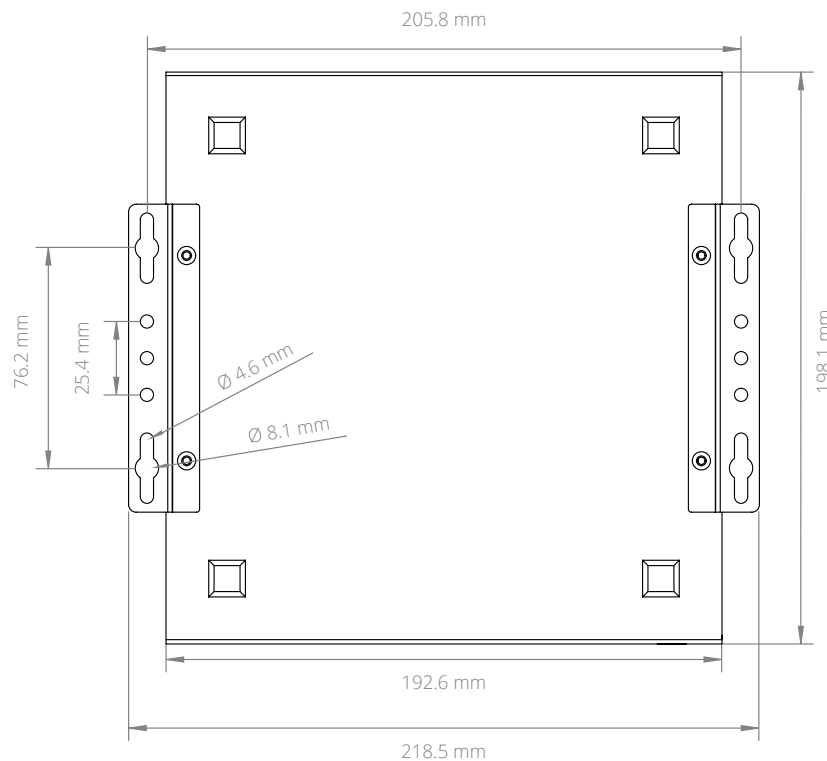
All measurements in mm



FRONT



SIDE



BOTTOM

