

# Compact & Customizable

This streamlined industrial PC brings desktop-level flexibility to a slim, versatile, fanless chassis with its unique expansion bay.

[logicsupply.com/ml300-series/](http://logicsupply.com/ml300-series/)



## Small Form, Big Brains

With processor options ranging up to Intel's Skylake i5, the ML300 Series delivers the maximum performance available in a compact, fanless enclosure.

## Cool Under Pressure

The ML300 Series utilizes a reinforced chassis with solid state cooling that silently provides optimal and reliable heat transfer, far outpacing the cooling performance of similar enclosures.



## Easy Integration

With its small footprint and solid state components, the ML300 can be securely installed in even the most space constrained locations.

### US Office

Phone: +1 802 861 2300  
Email: [info@logicsupply.com](mailto:info@logicsupply.com)  
[www.logicsupply.com](http://www.logicsupply.com)

### EU Office

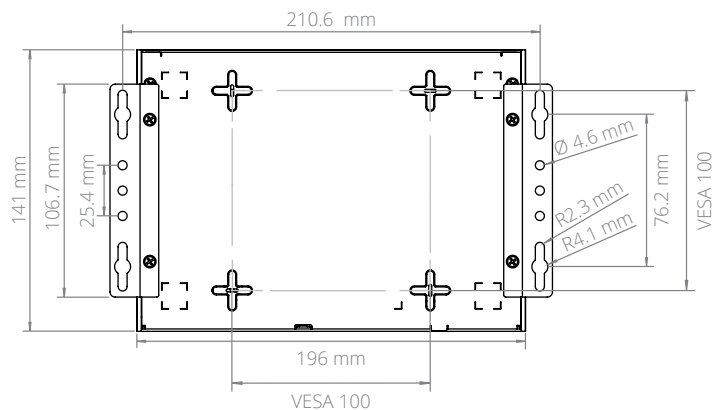
Phone: +31 85 2733760  
Email: [info@logicsupply.eu](mailto:info@logicsupply.eu)  
[www.logicsupply.com](http://www.logicsupply.com)

## Specifications

<b>Front I/O</b>	2 USB 2.0 ports Power button 3 Serial ports (2 RS-232, 1 RS-232/422/485 COM) - optional	<b>Memory Type</b>	DDR3L SO-DIMM (non-ECC)
<b>Rear I/O</b>	2 USB 3.0 ports 2 Gb LAN ports 1 HDMI port 1 VGA port 2 Audio jacks; mic-in, line-out 1 DC jack	<b>Memory Capacity</b>	Up to 8 GB
<b>Processor</b>	Intel Celeron N3150	<b>Memory Speed</b>	1600 MHz
<b>Processor Speed</b>	1.6 GHz	<b>LAN Controller</b>	Intel I210 GbE
<b>Processor Generation</b>	Braswell	<b>Input Voltage</b>	12 ~ 24 V
<b>Processor Cores</b>	4	<b>Power Input</b>	DC jack
<b>Graphics/GPU</b>	Intel HD Graphics	<b>Operating Temp. Range</b>	0°C ~ 50°C
		<b>Dimensions (WxHxD)</b>	196 x 36.75 x 141 mm
		<b>Case Material</b>	Steel With Aluminum Extrusion
		<b>Mounting Options</b>	DIN-mount, VESA MIS-D 100 mount, Wall-mount

## Dimensional Drawings

*All measurements in mm*

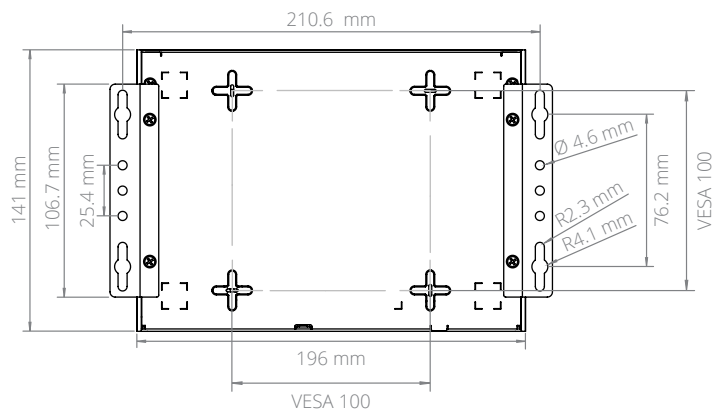
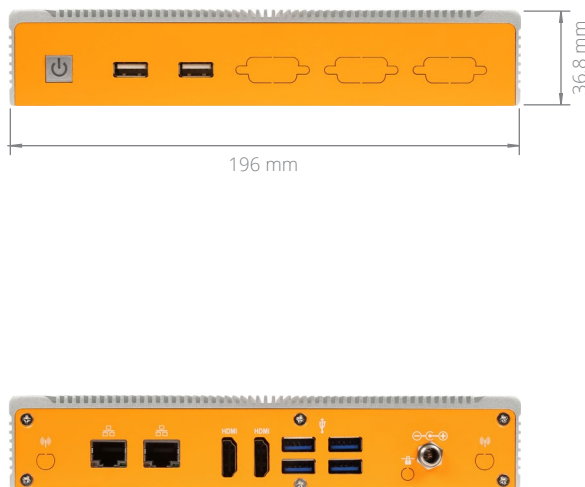


## Specifications

<b>Front I/O</b>	2 USB 2.0 ports Power button 3 Serial ports (2 RS-232/422/485, 1 RS-232 COM) - optional	<b>Memory Type</b>	DDR3L SO-DIMM (non-ECC)
<b>Rear I/O</b>	4 USB 3.0 ports 2 Gb LAN ports 2 HDMI ports 1 DC jack	<b>Memory Capacity</b>	Up to 8 GB
<b>Processor</b>	Intel Core i3/i5/i7	<b>Memory Speed</b>	1600 MHz
<b>Processor Speed</b>	Configuration Dependent	<b>LAN Controller</b>	Intel I218LM GbE Realtek RT8111G
<b>Processor Generation</b>	Haswell	<b>Input Voltage</b>	9 ~ 36 V
<b>Processor Cores</b>	Configuration Dependent	<b>Power Input</b>	DC jack
<b>Graphics/GPU</b>	Intel HD Graphics	<b>Operating Temp. Range</b>	0°C ~ 45°C
		<b>Dimensions (WxHxD)</b>	196 x 36.75 x 141 mm
		<b>Case Material</b>	Steel With Aluminum Extrusion
		<b>Mounting</b>	DIN-mount, VESA MIS-D 100 mount, Wall-mount

## Dimensional Drawings

*All measurements in mm*

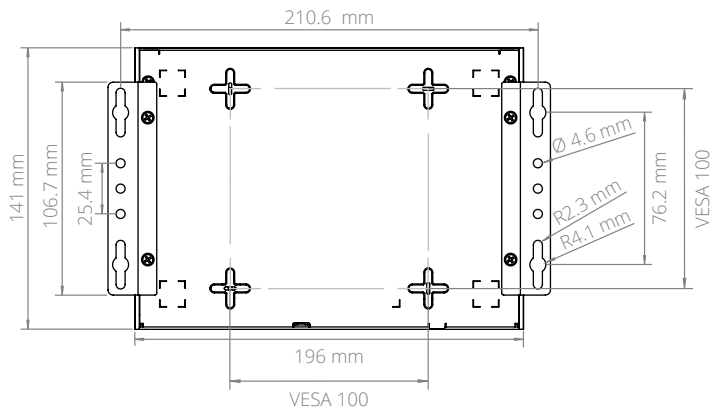
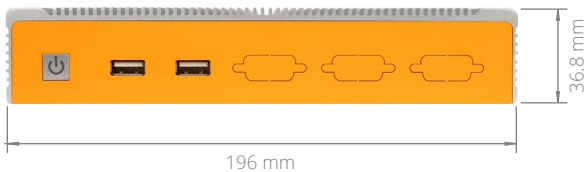


## Specifications

<b>Front I/O</b>	3 RS-232 COM ports (Optional) 2 USB 2.0 ports Power Button	<b>Memory Speed</b>	2133 MHz
<b>Rear I/O</b>	4 USB 3.0 ports 2 DisplayPort connectors 2 Gb LAN ports	<b>LAN Controller</b>	Intel I211-AT GbE Intel I219LM GbE (when configured w/ i5) Intel I219V GbE (when configured w/ i3)
<b>Processor</b>	Intel Core i3/i5/i7	<b>Input Voltage</b>	12 V / 19 ~ 36 V
<b>Processor Speed</b>	Configuration Dependent	<b>Power Input</b>	DC jack
<b>Processor Generation</b>	Skylake	<b>Operating Temp. Range</b>	0°C ~ 45°C
<b>Processor Cores</b>	2	<b>Dimensions (WxHxD)</b>	196 x 36.75 x 141 mm 7.72" x 1.45" x 5.55"
<b>Graphics/GPU</b>	Intel HD Graphics 520	<b>Case Material</b>	Steel With Aluminum Extrusion
<b>Memory Type</b>	DDR4 SO-DIMM (non-ECC)	<b>Mounting Options</b>	DIN-mount, VESA MIS-D 100 mount, Wall-mount
<b>Memory Capacity</b>	Up to 32 GB		

## Dimensional Drawings

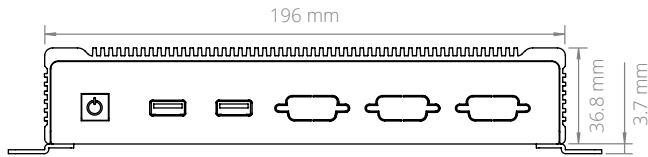
*All measurements in mm*



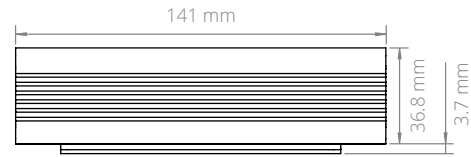
# ML340 Dimensional Drawings

Low Profile Fanless Computer

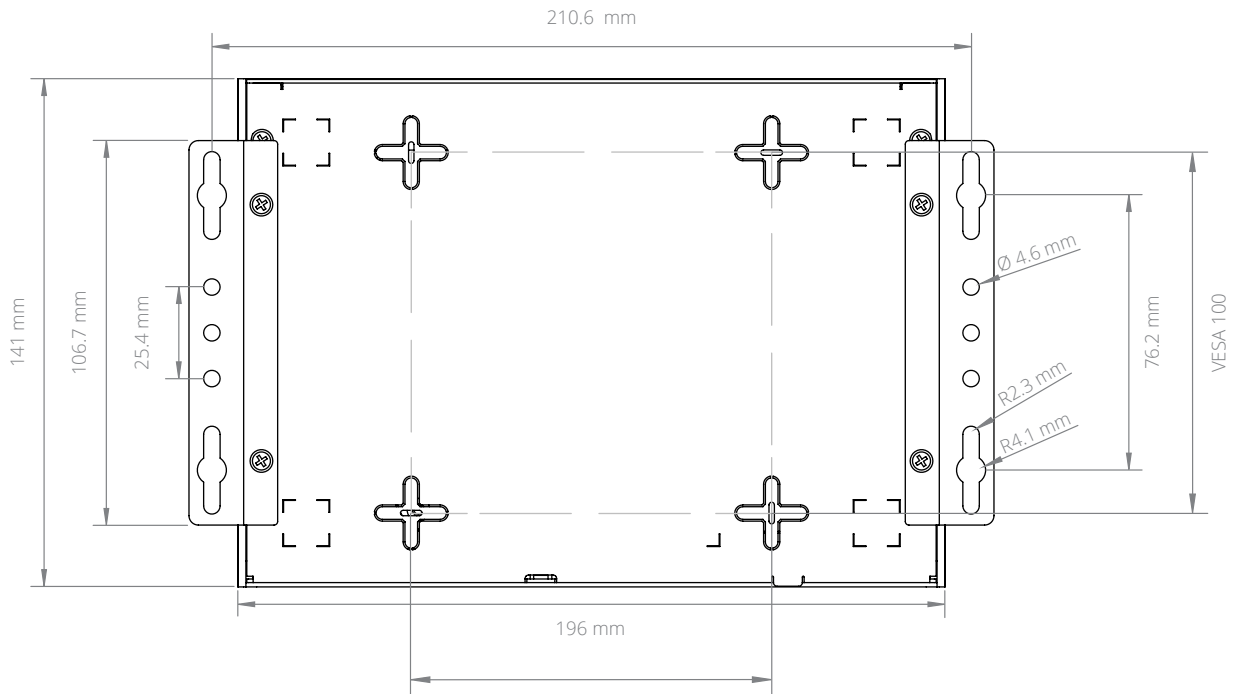
*All measurements in mm*



**FRONT**



**SIDE**



**BOTTOM**

